

Absolute Maximum Ratings

Parameter	Symbol	Min	Max	Unit

Operating Conditions

Parameter	Symbol	Min	Typical	Max	Unit

Notes:

Transmitter Specifications – Optical

Parameter	Symbol	Min	Typical	Max	Unit
	λ				

Notes:

Transmitter Specifications – Electrical

Parameter	Symbol	Min	Typical	Max	Unit



					Ω

Receiver Specifications – Optical

Parameter	Symbol	Min	Typical	Max	Unit

Notes:

Receiver Specifications – Electrical

Parameter	Symbol	Min	Typical	Max	Unit

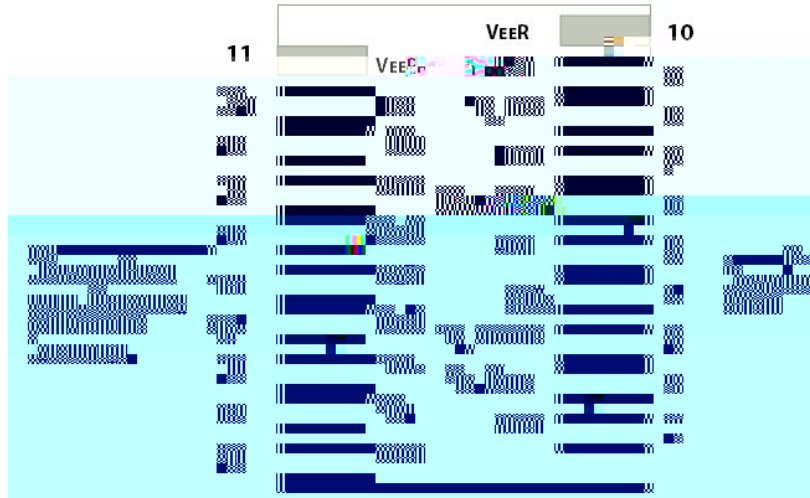


Figure1.Electrical Pin-out Details

Pin Descriptions

Pin	Symbol	Name/Description
-----	--------	------------------

<



F-tone Networks

北亿纤通科技有限公司

集团旗下

Notes:



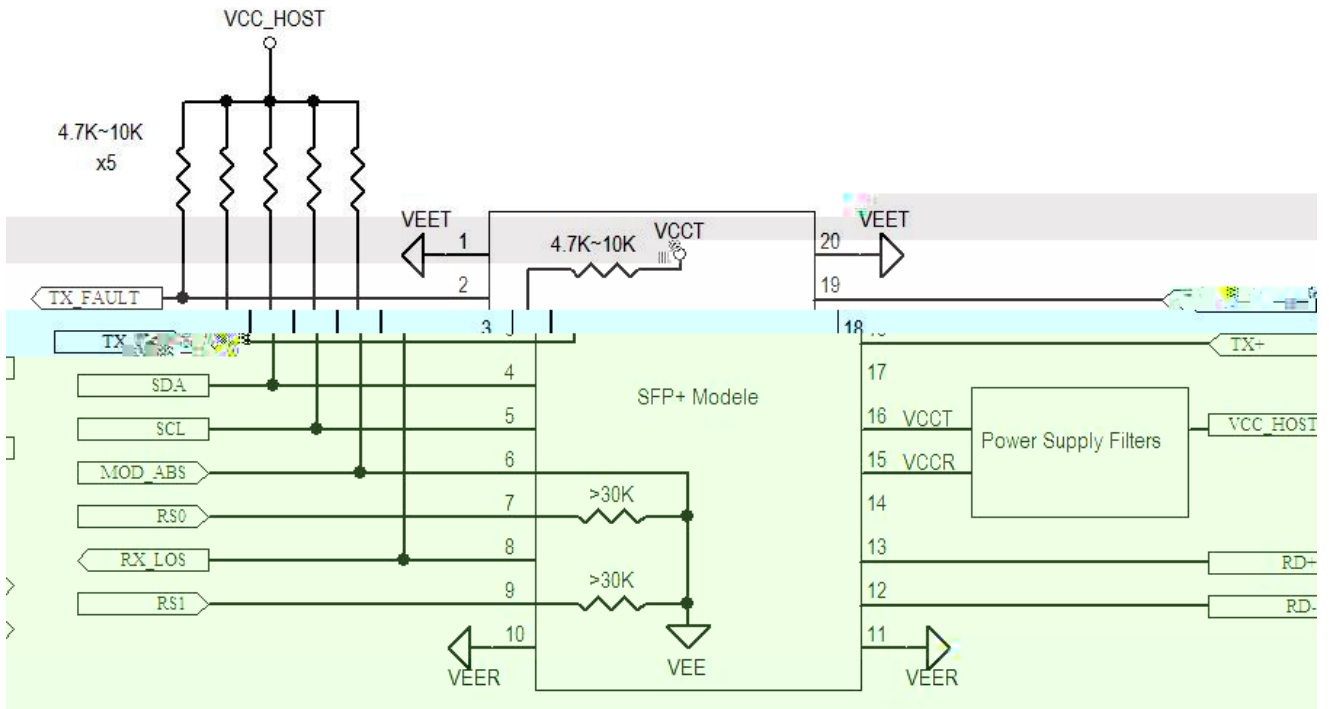


Figure3. Host-Module Interface

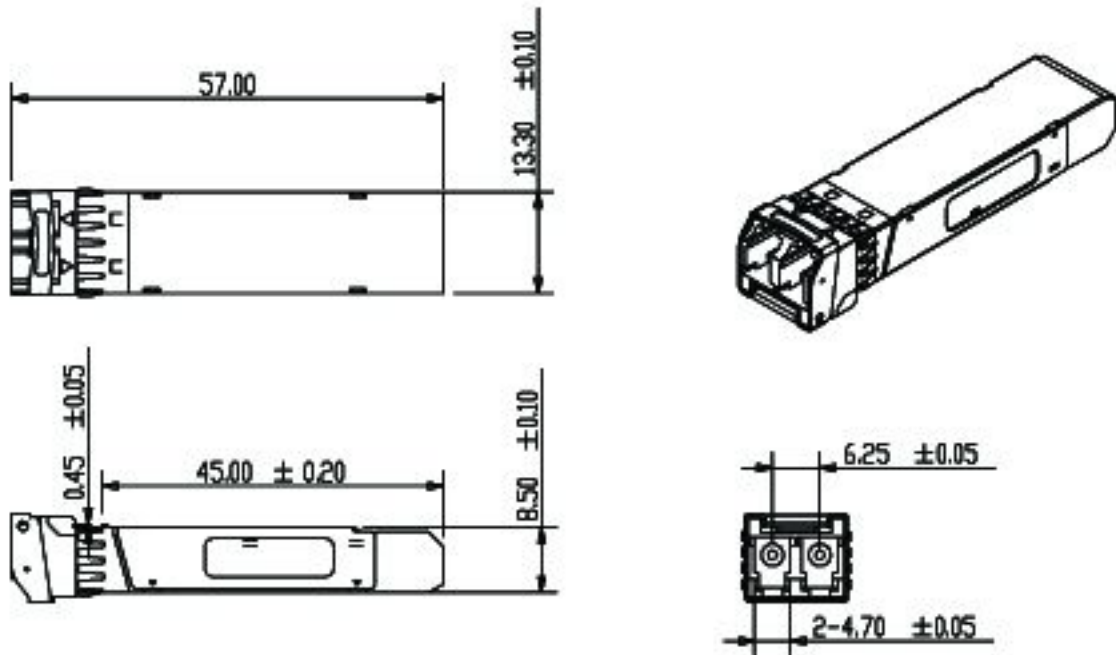


Figure6. Mechanical Specifications



F-tone Networks

北亿纤通科技有限公司

集团旗下

Regulatory Compliance

